

TANBUS Interface



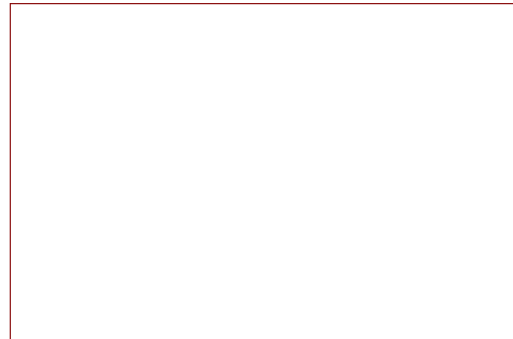
File: tanbus.kicad_sch

CPU clocks and counter



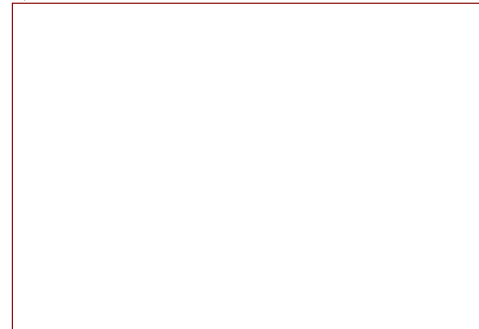
File: CPU.kicad_sch

RAM ROM and video



File: vram.kicad_sch

Spare Gates and Power distribution



File: power.kicad_sch

All intellectual Property Rights remain with the respective copyright owners
For educational use only.

Drawn by – Barry Graham

Sheet: /
File: 80 82 Video-R.kicad_sch

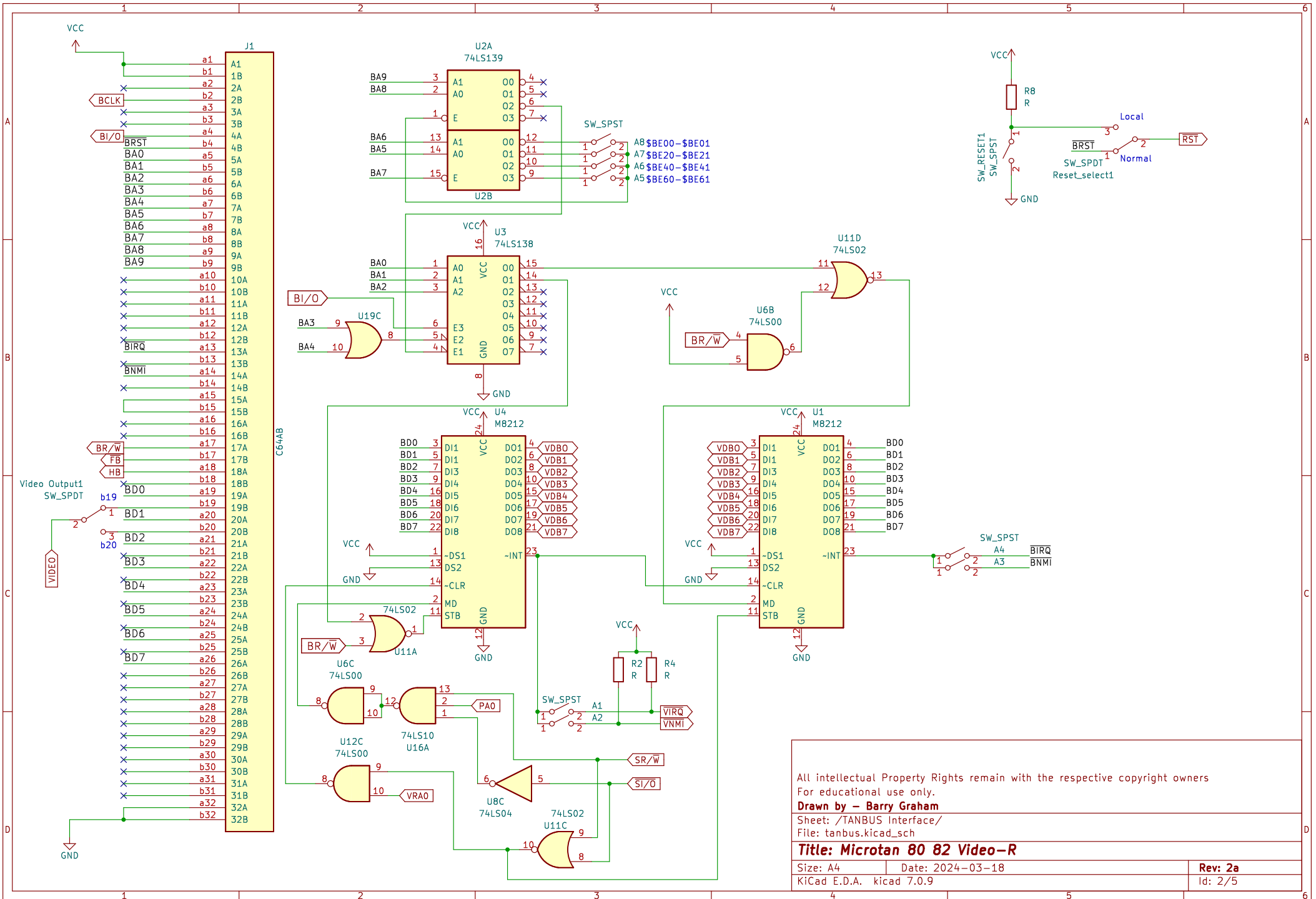
Title: Microtan 80 82 Video-R

Size: A4 Date: 2024-03-18

KiCad E.D.A. kicad 7.0.9

Rev: 2a

Id: 1/5



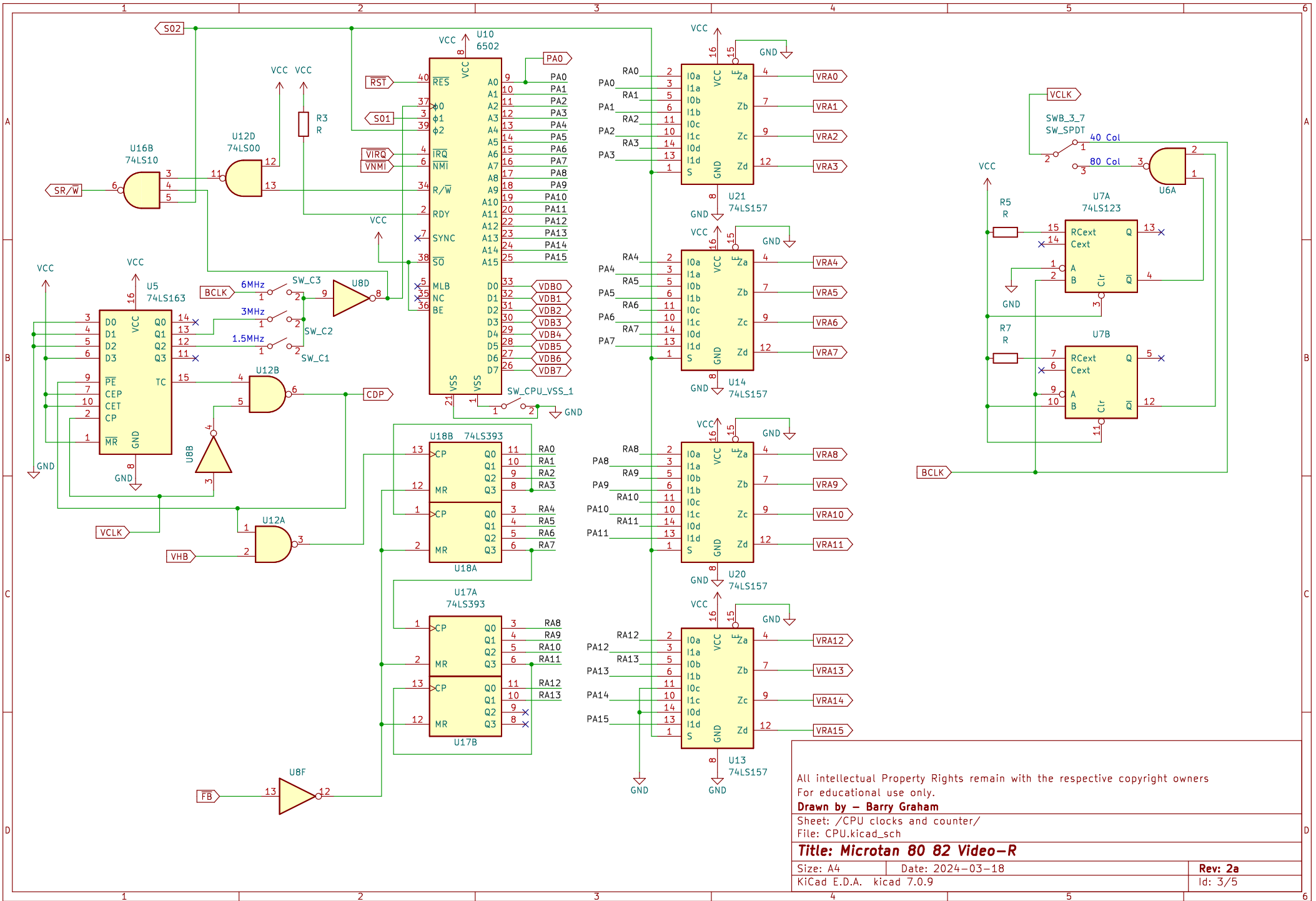
All intellectual Property Rights remain with the respective copyright owners
For educational use only.

Drawn by – Barry Graham

Sheet: /TANBUS Interface/
File: tanbus.kicad_sch

Title: Microtan 80 82 Video-R

Size: A4	Date: 2024-03-18	Rev: 2a
KiCad E.D.A. kicad 7.0.9		Id: 2/5



All intellectual Property Rights remain with the respective copyright owners
 For educational use only.

Drawn by – Barry Graham

Sheet: /CPU clocks and counter/
 File: CPU.kicad_sch

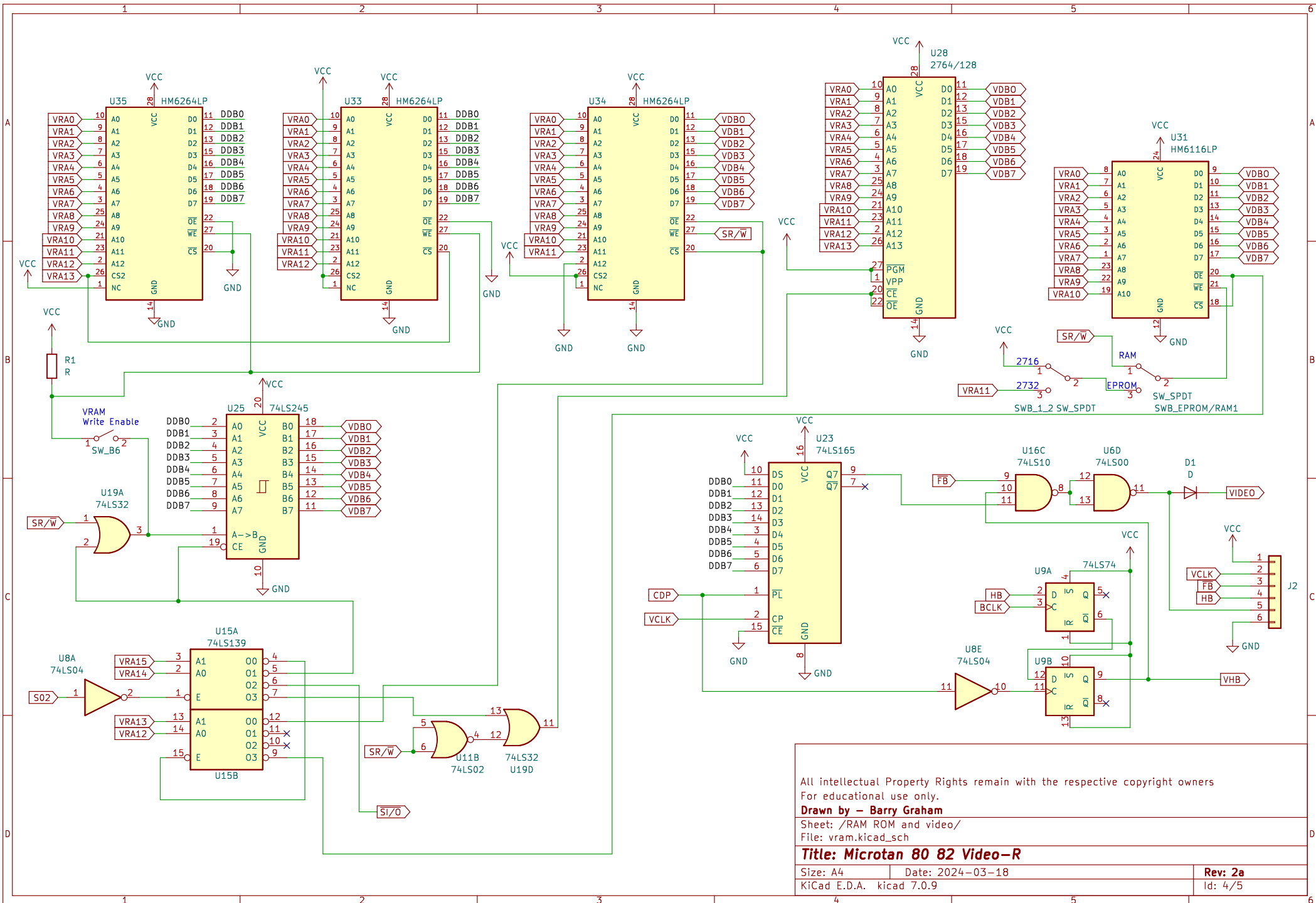
Title: Microtan 80 82 Video-R

Size: A4 Date: 2024-03-18

KiCad E.D.A. kicad 7.0.9

Rev: 2a

Id: 3/5



All intellectual Property Rights remain with the respective copyright owners
 For educational use only.

Drawn by – Barry Graham

Sheet: /RAM ROM and video/

File: vram.kicad_sch

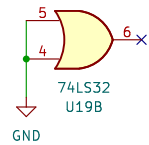
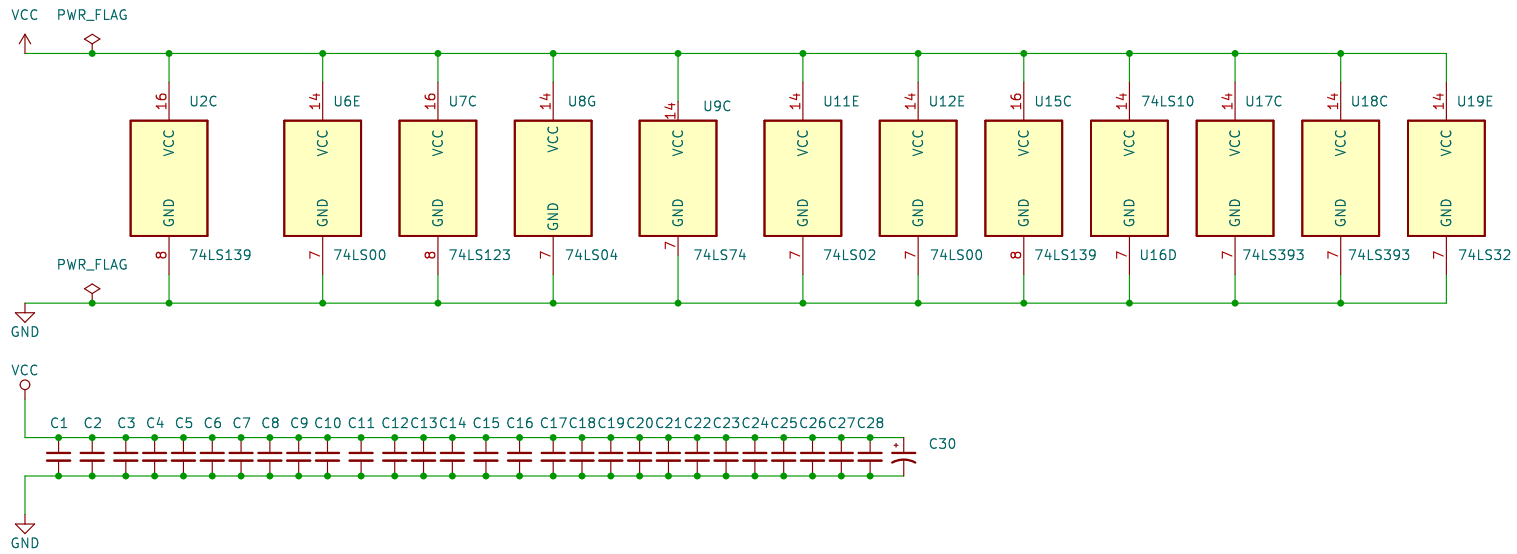
Title: Microtan 80 82 Video-R

Size: A4 Date: 2024-03-18

KiCad E.D.A. kicad 7.0.9

Rev: 2a

Id: 4/5



All intellectual Property Rights remain with the respective copyright owners
For educational use only.

Drawn by – Barry Graham

Sheet: /Spare Gates and Power distribution/
File: power.kicad_sch

Title: Microtan 80 82 Video-R

Size: A4 Date: 2024-03-18

KiCad E.D.A. kicad 7.0.9

Rev: 2a

Id: 5/5